

# Hliníkové profily

Profile aluminiowe

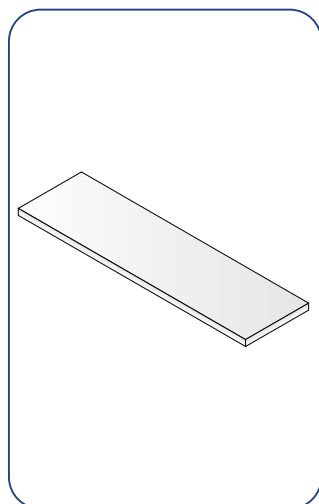
Aluminium profiles








# Hliníkové profily

Profile aluminiowe | Aluminium profiles

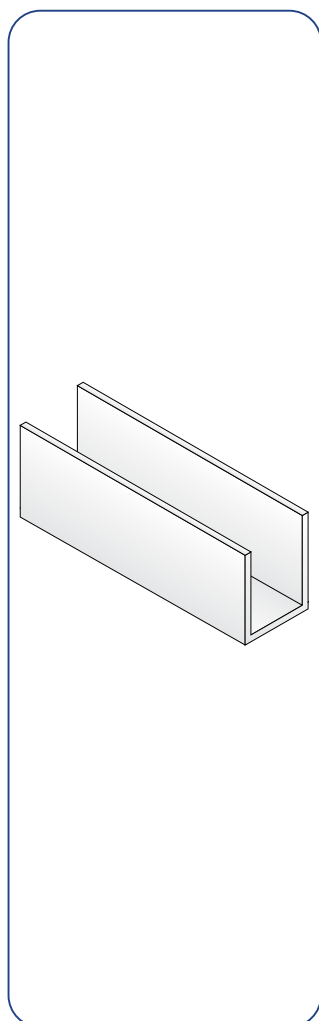
## Pásek | Płaskownik | Flat bar









Symbol	Typ					
		[mm]	[mm]	[mm]	[kg]	[ks]
730111	PPL 1	20	1000	3,0	0,162	8
730311	PPL 2	25	1000	3,0	0,202	8
730011	PPL 4	40	1000	3,0	0,324	8
730351	PPL 6	25	2000	3,0	0,404	4

anodovaný / anodowany / anodized

## Profil U | Ceownik | U shape



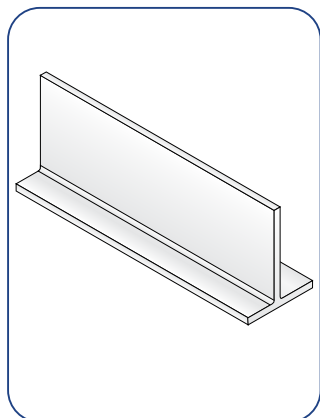
Symbol	Typ						
		[mm]	[mm]	[mm]	[mm]	[kg]	[ks]
750011	PC 1	8	8	1000	1,0	0,060	8
751511	PC 3	10	10	1000	1,5	0,120	8
751611	PC 5	12	12	1000	2,0	0,190	8
750911	PC 7	15	15	1000	2,0	0,230	8
751011	PC 11	20	10	1000	2,0	0,210	8
751111	PC 13	20	20	1000	2,0	0,310	8
751711	PC 15	25	15	1000	2,0	0,280	8
750951	PC 25	15	15	2000	2,0	0,460	4
751151	PC 31	20	20	2000	2,0	0,620	4
751751	PC 33	25	15	2000	2,0	0,560	4







anodovaný / anodowany / anodized

# Hliníkové profily

Profile aluminiowe | Aluminium profiles

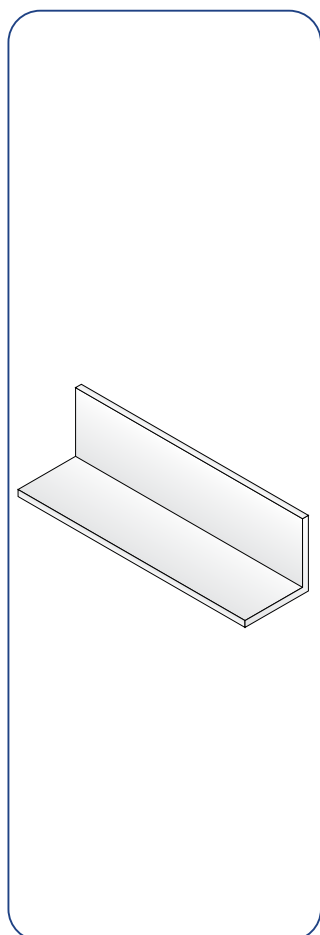
Profil T | Teownik | T bar









Symbol	Typ						
		[mm]	[mm]	[mm]	[mm]	[kg]	[ks]
760211	PT 3	20	20	1000	2,0	0,220	8
760311	PT 4	25	25	1000	2,0	0,260	8
760251	PT 10	20	20	2000	2,0	0,440	4

anodovaný / anodowany / anodized

Profil L rovnoramenný | Profil L równoramienny | Equal L-shape



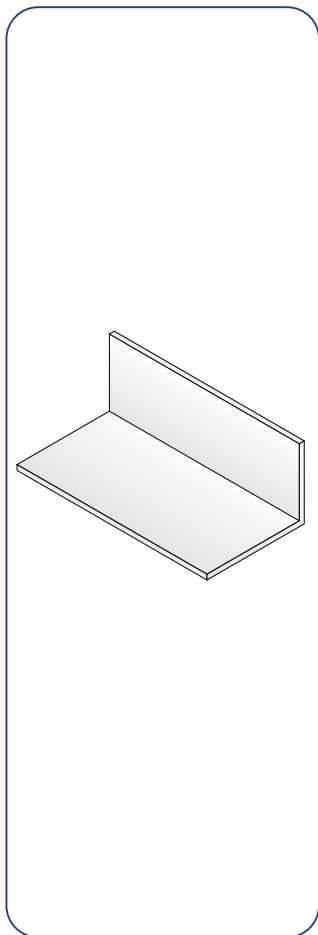
Symbol	Typ						
		[mm]	[mm]	[mm]	[mm]	[kg]	[ks]
740211	PKR 3	15	15	1000	1,5	0,120	8
740411	PKR 5	20	20	1000	2,0	0,250	8
740511	PKR 6	25	25	1000	2,0	0,270	8
740611	PKR 7	30	30	1000	2,0	0,320	8
740811	PKR 9	40	40	1000	3,0	0,620	8
740251	PKR 13	15	15	2000	1,5	0,240	4
740451	PKR 15	20	20	2000	2,0	0,500	4
740551	PKR 16	25	25	2000	2,0	0,540	4
740651	PKR 17	30	30	2000	2,0	0,640	4

anodovaný / anodowany / anodized

# Hliníkové profily

Profile aluminiowe | Aluminium profiles

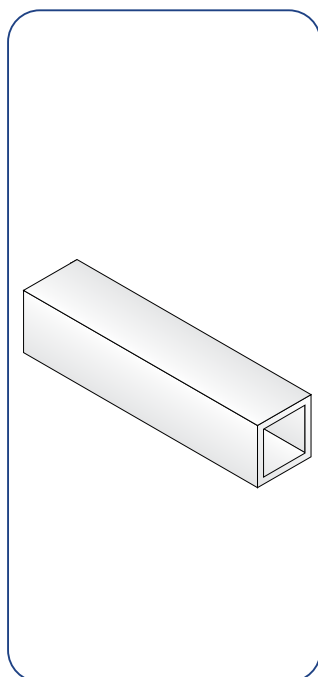
## Profil L nerovnoramenný | Profil L nierównoramienny | Non equal L-shape



Symbol	Typ						
		[mm]	[mm]	[mm]	[mm]	[kg]	[ks]
742111	PKN 2	20	10	1000	2,0	0,150	8
742211	PKN 3	20	15	1000	2,0	0,180	8
742611	PKN 5	30	20	1000	2,0	0,260	8
742511	PKN 7	40	20	1000	2,0	0,310	8
743011	PKN 8	50	25	1000	2,0	0,390	8
742811	PKN 10	40	60	1000	3,0	0,790	8
742151	PKN 13	20	10	2000	2,0	0,300	4
742651	PKN 16	30	20	2000	2,0	0,520	4
742551	PKN 18	40	20	2000	2,0	0,620	4

anodovaný / anodowany / anodized

## Trubka čtvercová | Rura kwadratowa | Square tube



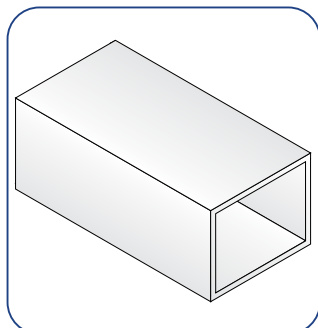
Symbol	Typ						
		[mm]	[mm]	[mm]	[mm]	[kg]	[ks]
770011	PRK 2	15	15	1000	1,0	0,150	8
770211	PRK 3	20	20	1000	1,5	0,300	8
770311	PRK 4	25	25	1000	1,5	0,370	8
770051	PRK 8	15	15	2000	1,0	0,300	4
770251	PRK 9	20	20	2000	1,5	0,600	4
770351	PRK 10	25	25	2000	1,5	0,740	4

anodovaná / anodowana / anodized

# Hliníkové profily

Profile aluminiowe | Aluminium profiles

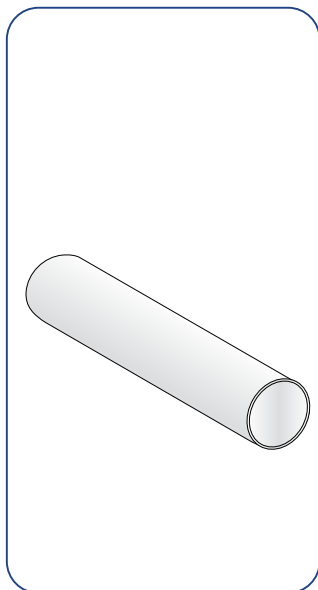
## Trubka obdélníková | Rura prostokątna | Rectangular tube



Symbol	Typ						
		[mm]	[mm]	[mm]	[mm]	[kg]	[ks]
771511	PRP 1	20	10	1000	1,5	0,220	8
771211	PRP 4	50	20	1000	1,5	0,720	8

anodovaná / anodowana / anodized

## Trubka kruhová | Rura okrągła | Round tube



Symbol	Typ					
		[mm]	[mm]	[mm]	[kg]	[ks]
772111	PRO 2	8	1000	1,0	0,060	8
772211	PRO 3	10	1000	1,0	0,080	8
772311	PRO 4	12	1000	1,0	0,090	8
773211	PRO 6	16	1000	1,0	0,130	8
772511	PRO 7	20	1000	1,0	0,160	8

anodovaná / anodowana / anodized